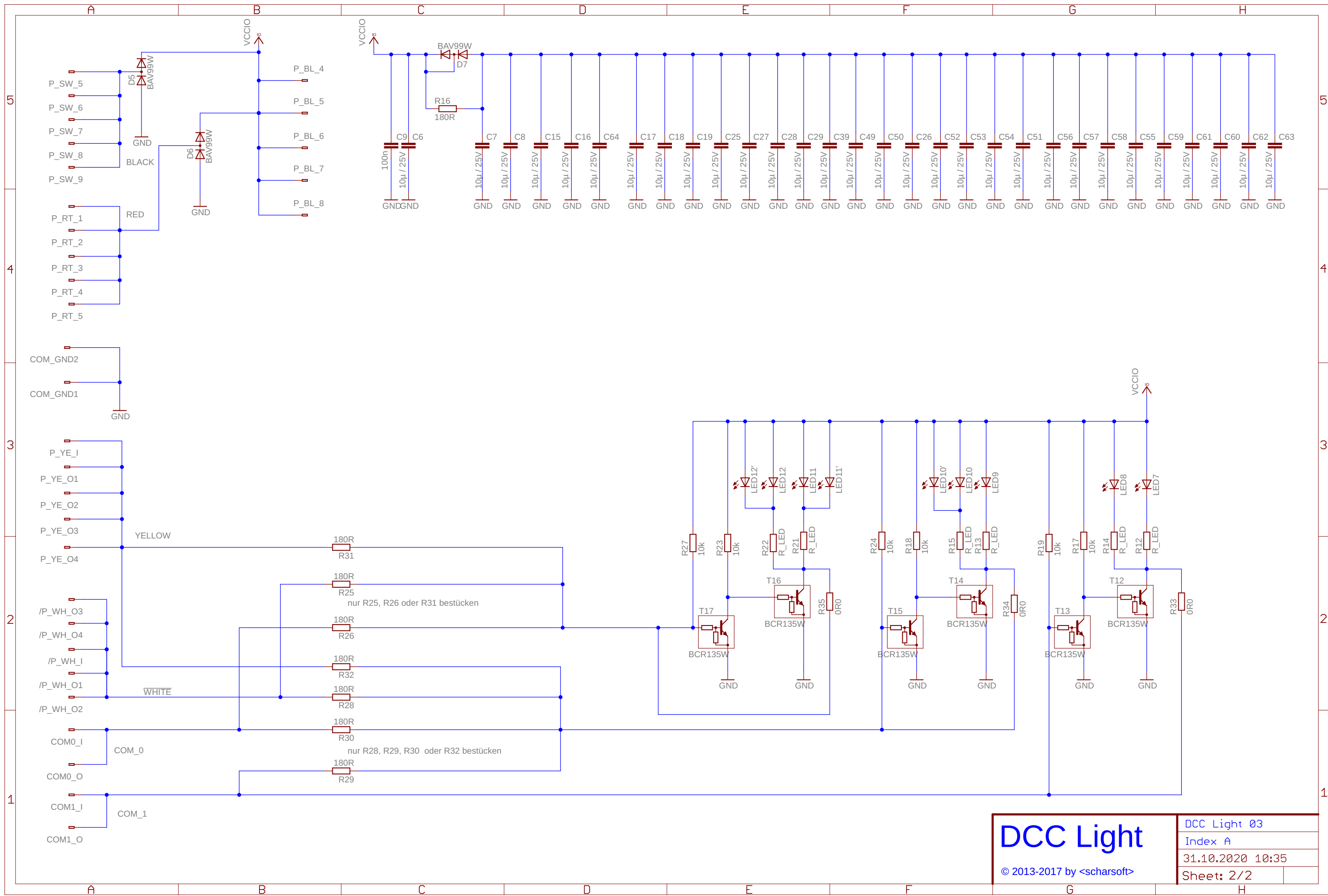
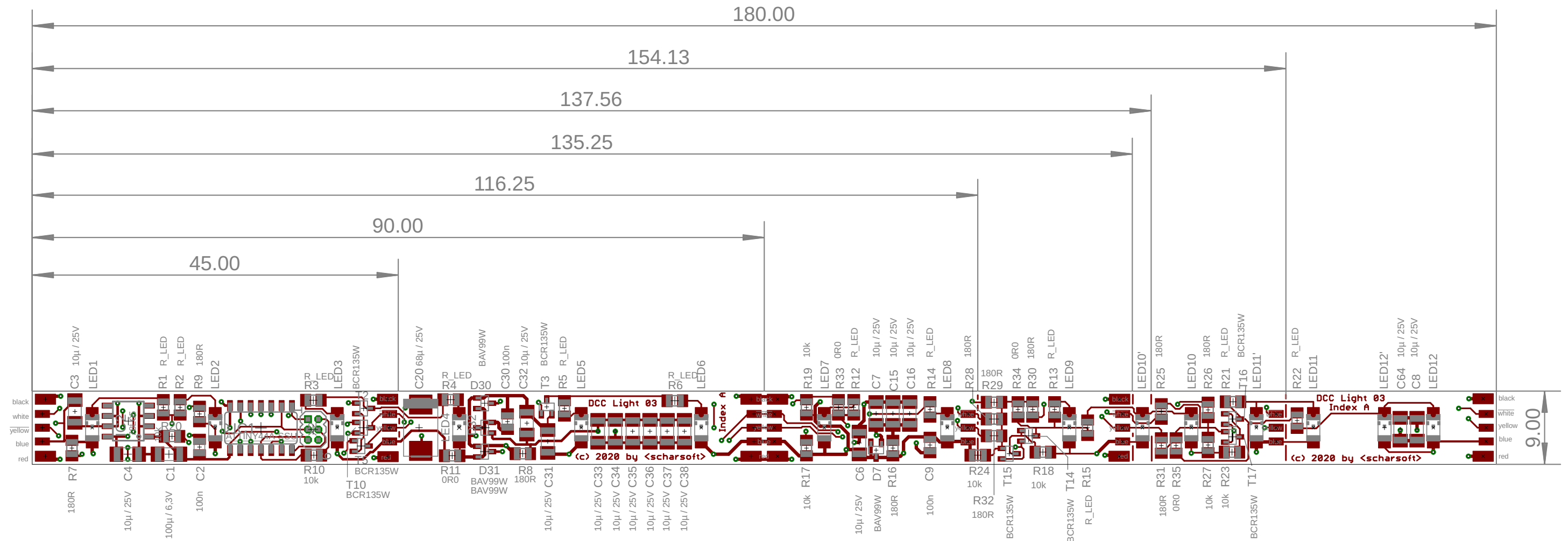


<h1 style="margin: 0;">DCC Light</h1> <p style="margin: 0;">© 2013-2020 by &lt;scharsoft&gt;</p>	DCC Light 03
	Index A
	31.10.2020 15:38
	Sheet: 1/2



	COM0	COM1	yellow	white
LED 9/10	R30	R29	R32	R28
LED 11/12	R26		R31	R25

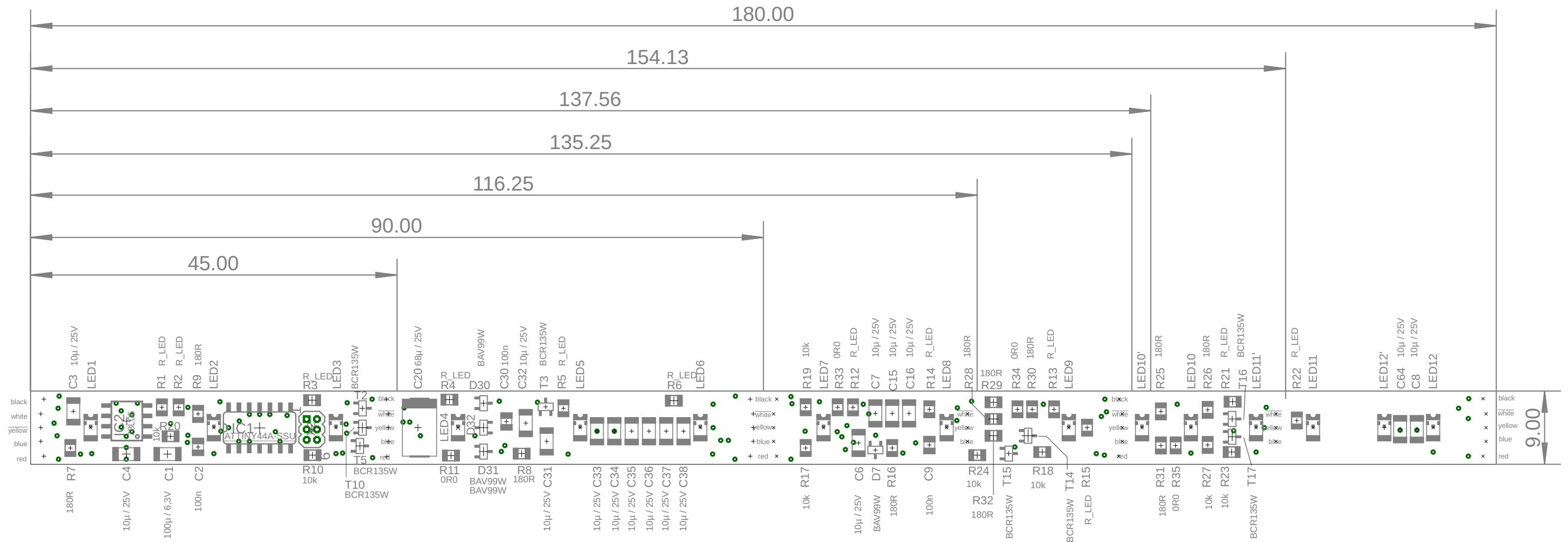
	LED 7/8	LED 9/10	LED 11/12
driven	R17; R19	R18; R24 T16; T17	R23; R27 T14; T15
direct	R33	R34	R35



DCC Light 03 - Index A

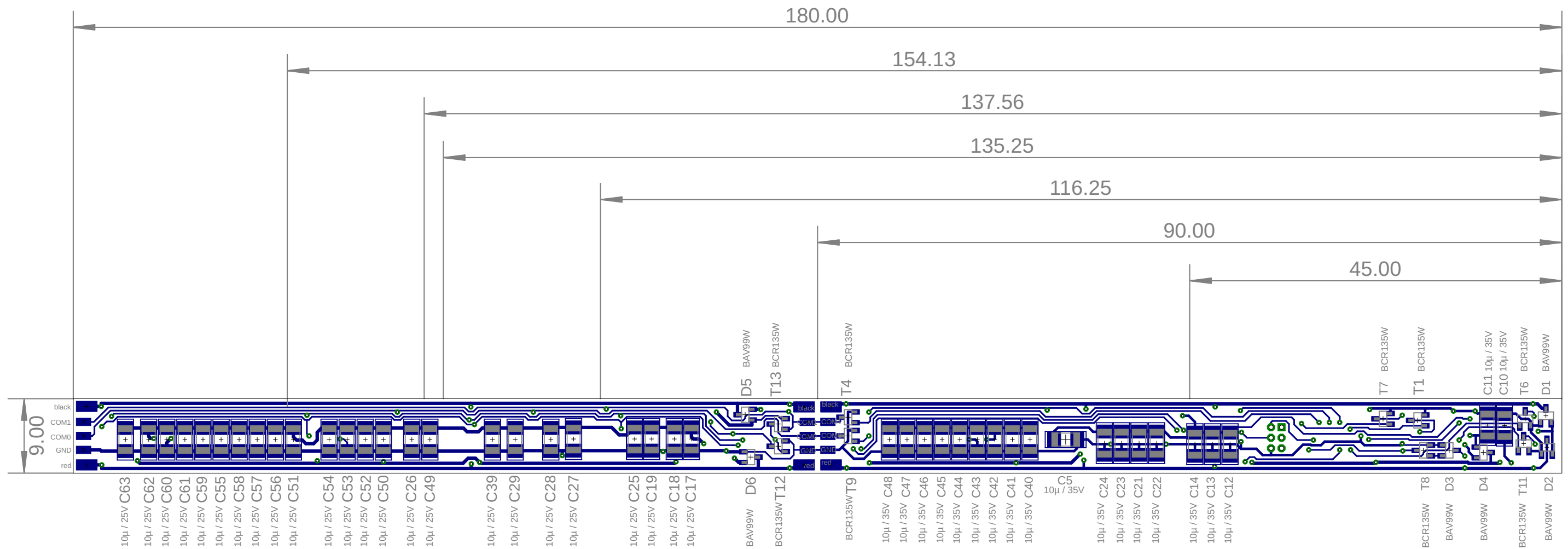
	COM0	COM1	yellow	white
LED 9/10	R30	R29	R32	R28
LED 11/12	R26		R31	R25

	LED 7/8	LED 9/10	LED 11/12
driven	R17; R19	R18; R24 T16; T17	R23; R27 T14; T15
direct	R33	R34	R35



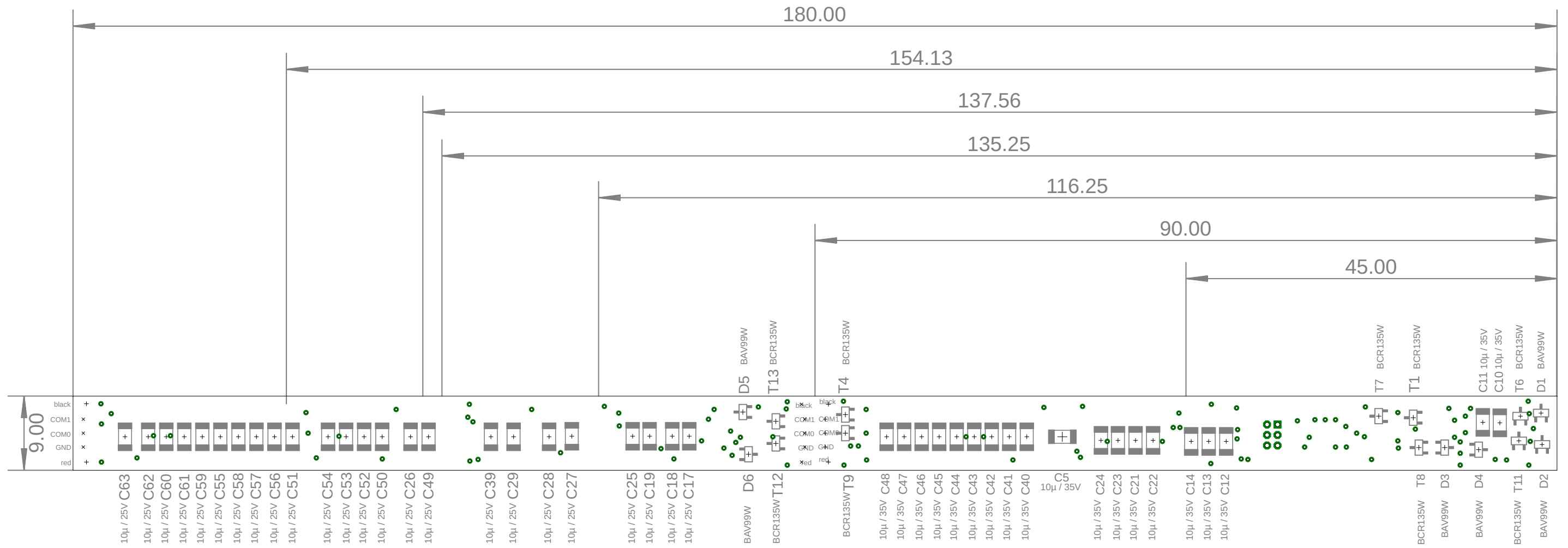
DCC Light 03 - Index A

	LED 7/8	LED 9/10	LED 11/12
driven	T12; T13	-	-
direct	-	-	-



DCC Light 03 - Index A

	LED 7/8	LED 9/10	LED 11/12
driven	T12; T13	-	-
direct	-	-	-



DCC Light 03 - Index A